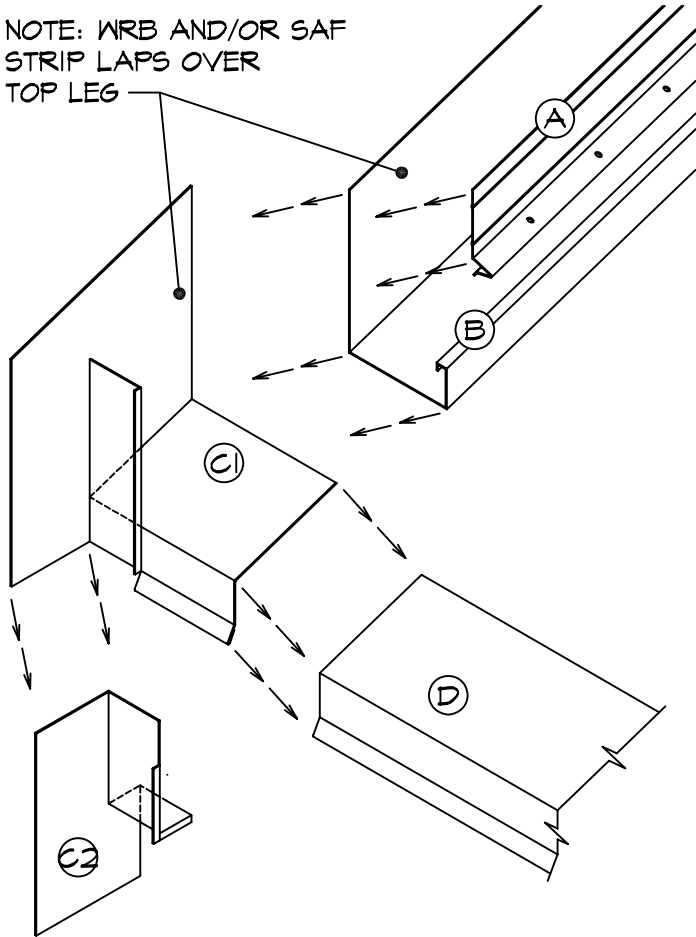


NOTE: WRB AND/OR SAF STRIP LAPS OVER TOP LEG



- (A) TYPICAL WEEP SCREED - LAP OVER END SADDLE (C1) AND BED IN SEALANT
- (B) TYPICAL TILE RAKE FLASHING (USE STEP FLASHING AT SHINGLES) LAP OVER END SADDLE (C1) AND BED IN SEALANT
- (C1) TWO-PIECE 24 ga. GSM END SADDLE - MECHANICALLY FASTEN AND SOLDER ALL JOINTS WATERTIGHT FOR EACH SEPARATE PIECE FOR DIMENSIONS - SEE DRAWING 1.19D
- (C2) LAP (C1) IN SEALANT OVER (C1) AND INTEGRATE WITH WRB AT WALL (NOT SHOWN)
- (D) TYPICAL EAVE FLASHING - EXTEND UNDER END SADDLE (C1) AND BED IN SEALANT

SHEATHING / WOOD STUDS -
SIDE WALL FLASHING AT EAVE, TYP.

1-B
1.19C

SCALE: NONE

COPYRIGHT 2005 Owens Corning

detail is set to display properly using
Architxt.shx font

OC IB 1-19C
issued 05/15/2006